



## OC-12 LR-1 RoHS Compliant Pluggable SFP Transceiver

### OP-MP213L1SD-4

#### Product Features

- Up to 622Mb/s data links
- Duplex LC connector
- Hot-pluggable SFP footprint
- 1310nm FP laser transmitter
- RoHS compliant and Lead Free
- Up to 40km on 9/125um SMF
- Metal enclosure for lower EMI
- Single +3.3V power supply
- Low power dissipation <800mW
- Commercial and industrial operating temperature optional
- SFP MSA SFF-8074i Compliant

#### Applications

- SONET OC-12 LR-1 / SDH STM L-4.1

#### General

OPTOSTAR OP-MP213L1SD-4 Small Form Factor Pluggable (SFP) transceivers are compatible with The Small Form Factor Pluggable Multi-Sourcing Agreement (MSA). The SFP transceivers are high performance, cost effective modules supporting SONET OC-12/SDH STM-4 and 40km transmission distance with SMF. They are RoHS compliant and lead-free.

## Regulatory Compliance

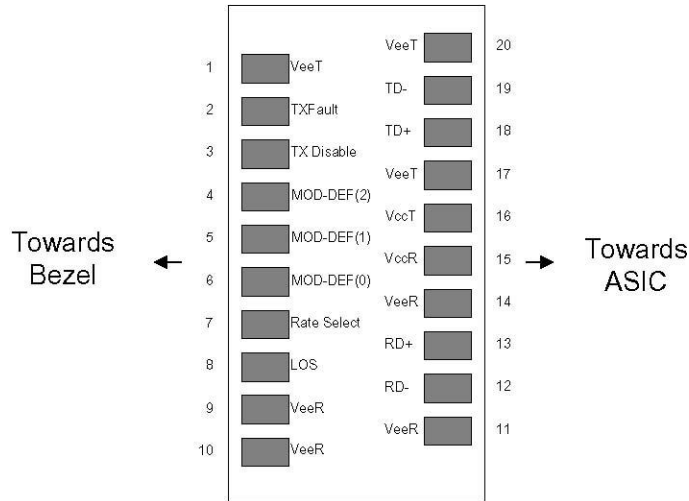
- ESD to the Electrical PINs: compatible with MIL-STD-883 Method 3015
- ESD to the Duplex LC Receptacle: compatible with IEC 61000-4-2
- Immunity compatible with IEC 61000-4-3
- EMI compatible with FCC Part 15 Class B EN55022 Class B (CISPR 22B) VCCI Class B
- Laser Eye Safety compatible with FDA 21CFR 1040.10 and 1040.11 EN60950, EN (IEC) 60825-1,2
- RoHs compliant with 2002/95/EC 4.1&4.2 2005/747/EC

## Pin Descriptions

Pin	Symbol	Name/Description	Ref.
1	VeeT	Transmitter Ground (Common with Receiver Ground)	1
2	TX Fault	Transmitter Fault.	
3	TX Disable	Transmitter Disable. Laser output disabled on high or open.	2
4	MOD_DEF(2)	Module Definition 2. Data line for Serial ID.	3
5	MOD_DEF(1)	Module Definition 1. Clock line for Serial ID.	3
6	MOD_DEF(0)	Module Definition 0. Grounded within the module.	3
7	Rate Select	No connection required	
8	LOS	Loss of Signal indication. Logic 0 indicates normal operation.	4
9	VeeR	Receiver Ground (Common with Transmitter Ground)	1
10	VeeR	Receiver Ground (Common with Transmitter Ground)	1
11	VeeR	Receiver Ground (Common with Transmitter Ground)	1
12	RD-	Receiver Inverted DATA out. AC Coupled	
13	RD+	Receiver Non-inverted DATA out. AC Coupled	
14	VeeR	Receiver Ground (Common with Transmitter Ground)	1
15	VccR	Receiver Power Supply	
16	VccT	Transmitter Power Supply	
17	VeeT	Transmitter Ground (Common with Receiver Ground)	1
18	TD+	Transmitter Non-Inverted DATA in. AC Coupled.	
19	TD-	Transmitter Inverted DATA in. AC Coupled.	
20	VeeT	Transmitter Ground (Common with Receiver Ground)	1

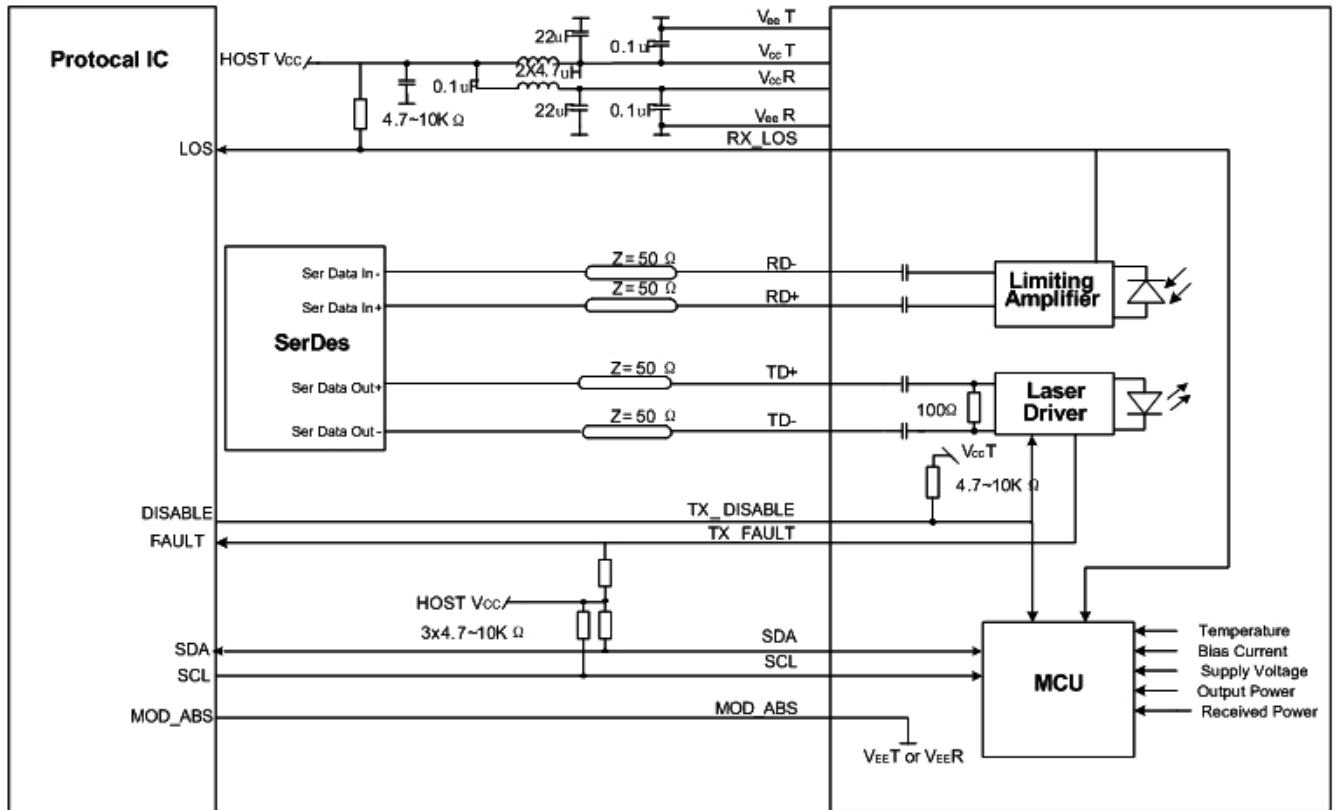
### Notes:

1. Circuit ground is internally isolated from chassis ground.
2. Laser output disabled on TX Disable >2.0V or open, enabled on TX Disable <0.8V.
3. Should be pulled up with 4.7k - 10kohms on host board to a voltage between 2.0V and 3.6V. MOD\_DEF(0) pulls line low to indicate module is plugged in.
4. LOS is open collector output. Should be pulled up with 4.7k – 10kohms on host board to a voltage between 2.0V and 3.6V. Logic 0 indicates normal operation; logic 1 indicates loss of signal.



Pin-out of Connector Block on Host Board

### Recommend Circuit Schematic



### Absolute Maximum Ratings

Parameter	Symbol	Min	Typ	Max	Unit	Ref.
Maximum Supply Voltage	Vcc	-0.5	-	+4.0	V	
Storage Temperature	TS	-40	-	+85	°C	
Operating Humidity	RH	5	-	95	%	

### Recommended Operating Conditions

Parameter	Symbol	Min	Typ	Max	Unit	Ref.
Power Supply Voltage	Vcc	3.13	3.30	3.47	V	
Power Supply Current	Icc	-	-	250	mA	
Case Operating Temperature	Tc	0	-	+70	°C	1
	Ti	-40	-	+85		2
Data Rate(SONET/SDH)	-	-	622	-	Mbps	
9/125um G.652 SMF	Lmax	-	-	40	km	

#### Notes:

1. For commercial class product.
2. For industrial class product.

### Electrical Characteristics (TOP=25°C, Vcc=3.3Volts)

Parameter	Symbol	Min	Typ	Max	Unit	Ref.
<b>Transmitter</b>						
Input differential impedance	Rin	-	100	-	Ω	1
Single ended data input swing	Vin, pp	250	-	1200	mV	
TX Disable-High	-	Vcc – 1.3	-	Vcc	V	
TX Disable-Low	-	Vee	-	Vee+ 0.8	V	
TX Fault-High	-	Vcc-0.5	-	Vcc	V	
TX Fault-Low	-	Vee	-	Vee+0.5	V	
<b>Receiver</b>						
Single ended data output swing	Vout, pp	300	400	800	mV	2
Data output rise time	tr	-	-	300	ps	3
Data output fall time	tf	-	-	300	ps	3
LOS-High	-	Vcc – 0.5		Vcc	V	
LOS-Low	-	Vee		Vee+0.5	V	

#### Notes:

1. AC coupled.
2. Into 100 ohm differential termination.
3. 20 – 80 %

**Optical Characteristics (TOP=25°C, Vcc=3.3 Volts)**

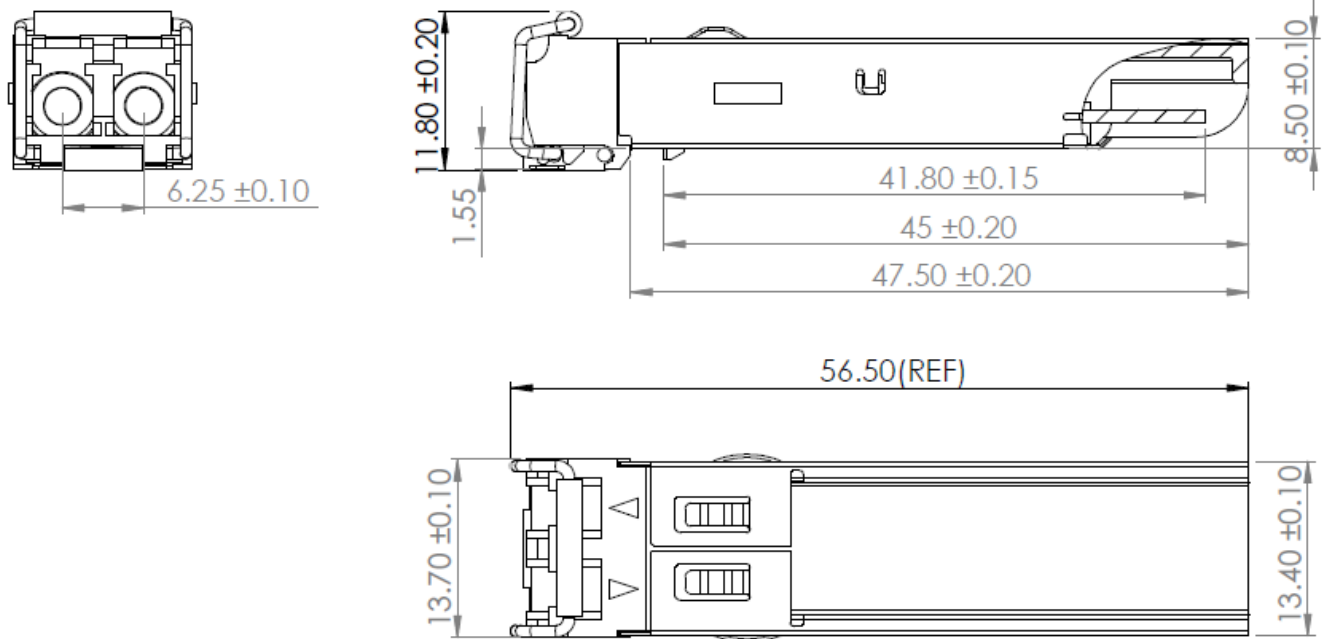
Parameter	Symbol	Min	Typ	Max	Unit	Ref.
<b>Transmitter</b>						
Output Opt. Power	PO	-3	-	+2	dBm	1
Optical Wavelength	$\lambda$	1275	1310	1350	nm	
Spectral Width	$\sigma$	-	-	3	nm	
Optical Rise/Fall Time	tr/ta	-	-	300	ps	2
Total Generated Transmitter Jitter (peak to peak)	JTXp-p	-	-	0.07	UI	3
Total Generated Transmitter Jitter (rms)	JTXrms	-	-	0.007	UI	
Optical Extinction Ratio	ER	9	-	-	dB	
<b>Receiver</b>						
RX Sensitivity @622Mb/s	RSENS	-	-	-30	dBm	4
Maximum Received Power	RXMAX	0	-	-	dBm	
Optical Center Wavelength	$\lambda_C$	1270	-	1600	nm	
LOS De-Assert	LOSD	-	-	-32	dBm	
LOS Assert	LOSA	-40	-	-	dBm	
LOS Hysteresis	-	0.5	-	5	dB	

**Notes:**

1. Class 1 Laser Safety.
2. Unfiltered, 20-80%. Complies with OC-12 eye masks when filtered.
3. Measured with DJ-free data input signal .In actual application, output DJ will be the sum of input DJ and  $\Delta$ DJ.
4. Measured with PRBS  $2^{23}-1$  at  $10^{-10}$  BER.

## Mechanical Specifications

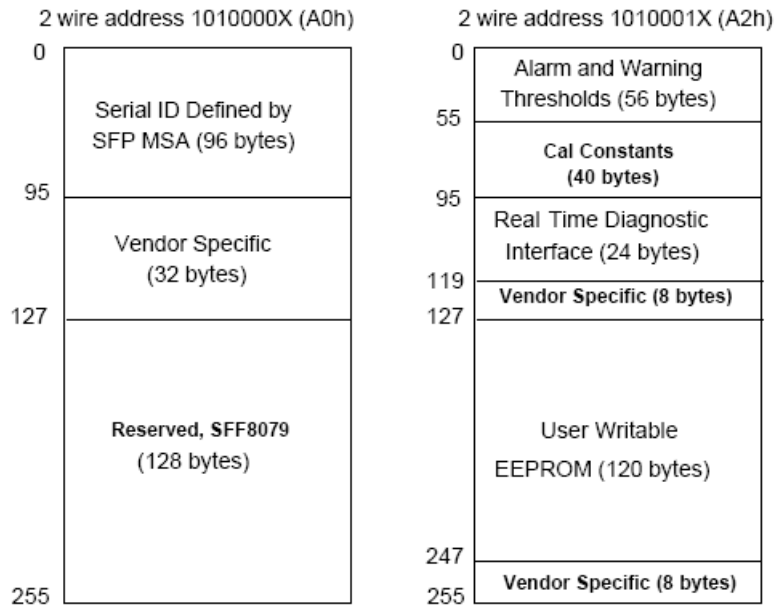
OPTOSTAR's Small Form Factor Pluggable (SFP) transceivers are compatible with the dimensions defined by the SFP Multi-Sourcing Agreement (MSA).



**OP-MP213L1SD-40**

## EEPROM Information

EEPROM memory map specific data field description is as below:



## Digital Diagnostic Monitoring Interface

Five transceiver parameter values are monitored. The following table defines the monitored parameter's accuracy.

Parameter	Range	Accuracy	Calibration
Temperature	0 to +70°C (C)	±3°C	Internal
	-40 to +85°C (I)		
Voltage	2.97 to 3.63V	±3%	Internal
Bias Current	0 to 100mA	±10%	Internal
TX Power	-3 to +2dBm	±3dB	Internal
RX Power	-30 to 0dBm	±3dB	Internal

## For More Information

Shenzhen Optostar Optoelectronics Co., Ltd  
 A-14,Haide Building,the Intersection of Nanxin Road and Haide Second Road Nanshan District  
 Shenzhen,China  
 Tel: +86-755-26400198 +86-755-26400288  
 Fax: +86-755-26411001  
 Email: info@optostar.com.cn  
 Skype:ouyangroya  
 Web: www.optostar.com.cn